

Article

Integration of Lithium-Ion Battery Storage Systems in Hydroelectric Plants for Supplying Primary Control Reserve

Fabio Bignucolo ^{1,*}, Roberto Caldon ¹, Massimiliano Coppo ¹, Fabio Pasut ² and Martino Pettinà ¹

¹ Department of Industrial Engineering, University of Padova, 35131 Padova, Italy; roberto.caldon@unipd.it (R.C.); massimiliano.coppo@unipd.it (M.C.); martino.pettina@unipd.it (M.P.)

² S.T.E. Energy SpA, 35141 Padova, Italy; f.pasut@ste-energy.com

* Correspondence: fabio.bignucolo@unipd.it; Tel.: +39-049-827-7585

Academic Editor: Gianfranco Chicco

Received: 29 November 2016; Accepted: 11 January 2017; Published: 14 January 2017

Abstract: The ever-growing diffusion of renewables as electrical generation sources is forcing the electrical power system to face new and challenging regulation problems to preserve grid stability. Among these, the primary control reserve is reckoned to be one of the most important issues, since the introduction of generators based on renewable energies and interconnected through static converters, if relieved from the primary reserve contribution, reduces both the system inertia and the available power reserve in case of network events involving frequency perturbations. In this scenario, renewable plants such as hydroelectric run-of-river generators could be required to provide the primary control reserve ancillary service. In this paper, the integration between a multi-unit run-of-river power plant and a lithium-ion based battery storage system is investigated, suitably accounting for the ancillary service characteristics as required by present grid codes. The storage system is studied in terms of maximum economic profitability, taking into account its operating constraints. Dynamic simulations are carried out within the DIGSILENT PowerFactory 2016 software environment in order to analyse the plant response in case of network frequency contingencies, comparing the pure hydroelectric plant with the hybrid one, in which the primary reserve is partially or completely supplied by the storage system. Results confirm that the battery storage system response to frequency perturbations is clearly faster and more accurate during the transient phase compared to a traditional plant, since time delays due to hydraulic and mechanical regulations are overpassed. A case study, based on data from an existing hydropower plant and referring to the Italian context in terms of operational constraints and ancillary service remuneration, is presented.

Keywords: primary control reserve; frequency regulation; battery storage system; renewables; run-of-river hydroelectric plant

1. Introduction

The European electrical grid has been experiencing deep changes in recent years. In particular, the exploitation of Renewable Energy Sources (RESs) for electricity generation is dramatically modifying the traditional paradigm. In order to facilitate the renewables operation, considering that their operational costs are extremely reduced as compared with traditional fossil-fuel plants, RES power units are usually primarily dispatched. Combining this with the decrease in overall demand witnessed over the last decade, Conventional Power Plants (CPPs) are more and more excluded from the electricity market due to their high price, which makes them inconvenient from the economic point-of-view. It is worth noting that, focusing on the European context, photovoltaic and wind production grew from 323 TWh in 2011 to 553 TWh in 2015 [1,2].

This trend, often a consequence of incentive laws and market rules, could be detrimental for the main grid stability, considering that CPPs are large-scale plants mainly equipped with rotating machines having significant inertia, whereas RES units are often connected to the main grid through static converters. In this way, the overall system inertia is reduced, which means the electrical power system is more prone to higher frequency/voltage perturbations in case of loads or generation sudden variations, with possible consequences for the overall system reliability. In addition, the high RESs penetration affects the reliable behaviour of the electrical power system because of their weather-dependent generation [3].

To face frequency perturbations, traditional power plants, including hydroelectric impoundment facilities, are called to provide ancillary services, for instance frequency- and voltage-regulating functions [4]. Considering the unpredictable availability of the primary source, other renewables such as photovoltaic, wind and run-of-river hydroelectric plants are excluded from the primary reserve contribution [5], often leading to a significant reduction in the available primary reserve power [6]. Recently, the inertia emulation applied to static converter has been investigated, even if its application has not been regulated in the grid codes, considering also its impact on local loss-of-main protection effectiveness [7,8].

In this paper, the Primary Control Reserve (PCR) is investigated considering its high importance among all the required ancillary services [9]. In normal operating conditions, the generated power must balance the load absorption plus the network losses to ensure the frequency level within a narrow admitted range around the rated value (50 Hz in the Continental European Synchronous Area, CESA). PCR scope is maintaining the active power balance in the electrical power system immediately after network events and consequent frequency perturbations. Considering that a frequency increase is due to a generation surplus, PCR operates within seconds to correct the power plant injections and contain the frequency oscillation width. Frequency restoration is later attained thanks to secondary and tertiary control reserves, as depicted in Figure 1.

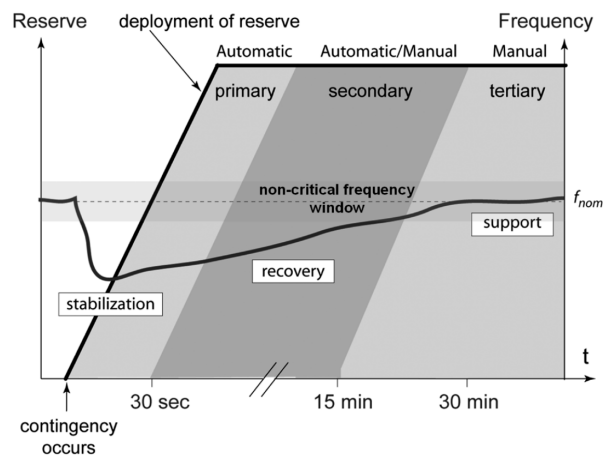


Figure 1. Schematic representation of an under-frequency perturbation caused by a load connection. Primary, secondary and tertiary reserves are sequentially activated to contain the frequency perturbation width (PCR) and later to restore the frequency within the admitted range (secondary and tertiary reserves), according to the Union for the Coordination of the Transmission of Electricity (UCTE).

Secondary and tertiary reserves are partially or completely manual, while CPPs and hydroelectric impoundment facilities are asked to automatically supply PCR in case a frequency deviation occurs at the connection busbar. The CPP controllers modulate linearly the active power output by regulating the plant's operating conditions (e.g., acting either on the steam valve or on the flow rate regulator, in case of steam-cycle power stations or impoundment hydropower plants, respectively). Usually,

since the plant operating conditions cannot change instantly due to mechanical, thermodynamic and/or hydraulic reasons, PCR is progressively required according to grid standards: standing on the European Network of Transmission System Operators for Electricity (ENTSO-E), for a frequency deviation of ± 200 mHz, half of the overall required reserve has to be supplied within 15 s from the frequency perturbation, whereas the full PCR activation must be reached within 30 s. In some CPPs, the reduction of the injected power in case of over-frequency may be reached more quickly (e.g., deflecting the water flow in high head hydroelectric power plants making use of Pelton turbines). A dead-band around the frequency rated value is allowed to limit the PCR actions. Moreover, the power level reached during the PCR must be maintained for at least 15 min to avoid oscillations of the system electric parameters during the frequency restore operated by the secondary reserve [10].

In this paper, the PCR ancillary service is supposed to be extended by the standards to also include run-of-river hydroelectric plants. In this way, only considering the countries reported in Table 1, an increase of about 45 GW in the overall installed rated power of plants supplying PCR is expected in the European area (data are evaluated as in [11] and generally refer to 2015). This corresponds to 5.8% of the overall installed capacity in the analysed countries (771 GW).

Table 1. Installed capacity per production type in some European countries (in MW). Relative values in the last row are computed referring to the overall installed capacity of the reported countries.

Country	Hydro Run-of-River	Other RESs	Fossil Fuel	Nuclear	Others	Total per Country
Austria	5601	10,171	6462	0	858	23,092
Belgium	115	7173	6801	5926	0	20,015
Czech Republic	440	4145	11,500	4040	600	20,725
France	10,314	13,825	17,601	63,130	62	104,932
Germany	4574	94,209	83,207	12,227	2627	196,844
Italy	10,719	26,432	27,580	0	37,816	102,547
Netherlands	38	5143	26,860	492	680	33,213
Norway	2626	31,938	1609	0	0	36,173
Poland	378	6073	29,122	0	0	35,573
Portugal	2979	7970	6475	0	167	17,591
Romania	2670	7889	10,733	1298	0	22,590
Serbia	1883	1034	5566	0	353	8836
Slovakia	1617	1820	2296	1940	422	8095
Spain	1085	53,368	41,688	7572	93	103,806
Sweden	0	19,456	6462	9528	8009	36,993
Total per production type	45,039	290,646	277,500	106,153	51,687	771,025
Relative value	5.8%	37.7%	36.0%	13.8%	6.7%	-

Moreover, the integration of a Battery Energy Storage System (BESS) is investigated as an alternative solution instead of modulating the hydraulic power. A hybrid solution, i.e., installing a BESS in parallel to the traditional plant, allows for increased energy production since, if the storage unit is not operating close to its minimum State of Charge (SoC), upward reserve can be supplied by the storage system and the hydroelectric part of the plant operates closer to its maximum available power. In the paper, a technical–economic investigation of the BESS optimal size according to the hydropower plant characteristics and the hydraulic availability is detailed. Evaluations are realized in a MATLAB (version R2016b) environment and the Internal Rate of Return (IRR) maximization is used as the sizing criterion. Later, the benefits of a hybrid system in terms of PCR contribution are verified through dynamic simulations in the DIGSILENT PowerFactory environment. Different BESS sizes are analysed, aiming to evaluate the plant contribution to the network frequency stability.

As detailed below, Section 2 discusses the BESS integration for supplying PCR; Section 3 details the procedure for the optimal technical–economic analysis and sizing, whereas the dynamic control schemes regulating the hybrid plant output according to the measured frequency are described in Section 4. Section 5 illustrates the case study and reports the main results in terms of sizing and dynamic behaviour, and conclusions are drawn in Section 6.

2. BESS Integration for Supplying Primary Control Reserve (PCR)

Grid-connected storage units can be a valuable resource for supplying ancillary services [12,13]. BESSs' use for providing PCR is revealing as an interesting alternative to active power modulation of CPPs. This mainly depends on its fast and precise power response to grid frequency deviations [14], since a faster response directly implicates a reduced frequency perturbation width [15]. In the past, storage systems were rarely used for grid services because of their high cost [16]; however, the rapidly falling cost of Li-ion battery packs [17] and their lifecycle increase [3,18] have boosted the interest in applications of storage systems in network regulation.

Several studies regarding PCR supply by means of storage systems are available in the literature [4,19]. A commercial strategy for operating energy storage in supporting integration of renewable generation is introduced in [20]. Different charging control strategies are proposed in [21], comparing the estimate of battery ageing [22] and maximizing both the service continuity and the BESS profitability [15]. A non-conventional droop-control law was proposed in [23]. Lifetime perspectives of Lithium Iron Phosphate batteries are discussed in [3], whereas [24] evaluates the investment revenue depending on different strategies for the SoC restoration. Also, [25] presents a possible operational mode of a generic energy storage system supporting frequency regulation in a network with high penetration of wind power plants, focusing on the system's size. The role of storage systems in fulfilling multiple grid services is investigated in [16], e.g., with SoC sharing [18]. Operation and charging control of a Li-ion BESS installed in Denmark and providing upward frequency regulation is analysed in [26], whereas an application of 5 MW/5 MWh Li-ion batteries installed in Germany is presented in [14]. Technical and economic opportunities making use of BESSs installed for providing PCR in buildings with photovoltaic (PV) generators are studied in [27].

In [28] the potential application for wind power integration support and an optimal sizing procedure are introduced. Vanadium batteries supporting wind power plants to provide PCR are discussed in [29], whereas time shifting is investigated in [30] according to U.K. policy requirements. An installation of 1.6 MW/0.4 MWh Li-ion battery combined with a wind power plant in Denmark providing ancillary services is described in [31]. The degradation behaviour of lithium based batteries supplying upwards frequency regulation (while the downwards regulation is obtained by reducing the wind generation) is investigated in [32] with support of field measurements. Reference [33] analyses and models the performances and the degradation trend of a specific Lithium-ion technology. Referring to a PV system, a control scheme and a BESS sizing procedure are introduced in [6] to study the PCR impact on batteries lifetime. Finally, BESS and flywheels are compared in providing PCR in industrial plants [34].

Integrating a Storage Unit in a Run-of-River Hydroelectric Power Plant

Nowadays, grid codes do not consider the opportunity of supplying PCR by means of BESSs. In this paper, the authors propose equipping an existing hydroelectric run-of-river power plant with a battery storage unit, assuming as a working hypothesis that the standards might require the PCR ancillary service also to this type of power generator.

Requirements for PCR in Italy are defined by the national Transmission System Operator (TSO) Terna SpA in the Section A.15 of the connection grid code [5], in accordance with UCTE guidelines. In detail, a power plant providing PCR has to make available a portion R of its rated power P_r as upward reserve (currently $R = 1.5\%$), whereas the required downward reserve is equal to the plant effective production, taking into account the minimum operating power. In case the plant is composed by U generating units, the PCR is evaluated on the sum of the working units rated power, not on the overall plant rated power. As a consequence, RES plants required to provide PCR have to operate at reduced power, which means partially wasting free renewable energy. Taking into account the PCR thresholds introduced below and considering the frequency trend evolution in a long-time period (e.g., one year), the installation of a BESS partially or completely providing the required upward reserve, rather than reducing the renewable power output, could be interesting from the plant owner's

economic perspective as well as the electrical power system frequency stability (response readiness of the overall plant in case of frequency perturbations). This work investigates the advantages of the BESS integration in a run-of-river plant, in terms of technical feasibility, economic profitability and dynamic response.

Figure 2 (bold red line) and Table 2 concisely describe the plant response required by current grid codes [5]. The overall behaviour can be obtained by considering multiple elementary constraints:

- a central dead-band around the frequency rated value, in which the plant is not called to supply PCR;
- a standard droop σ_{std} (dotted grey line), defined as in Equation (1) and applied in case of large frequency variations (either upward in case $\Delta f < \Delta f_{\sigma,u}$ or downward if $\Delta f > \Delta f_{\sigma,d}$). In the formula, Δf is the frequency deviation from the rated value f_r , ΔP is the required reserve in terms of output power variation and P_{rs} is the overall rated power of the working units composing the plant (P_{rs} is equal to the power station rated power P_r in case the plant has either only one generating unit or all the units are in service). According to Table 2, the standard droop σ_{std} is -4% ;

$$\sigma_{std} = -\frac{\frac{\Delta f}{f_r}}{\frac{\Delta P}{P_{rs}}} \quad (1)$$

- two reduced droop (σ_r) areas (dotted light blue lines), required to avoid discontinuities between the standard droop curve and the central dead-band (values in Table 2 define $\sigma_r = -4\%/3$);
- the maximum required upward contribution P_{Ru} (at least R times P_{rs} according to Italian standards, dotted green horizontal line), in case $\Delta f < \Delta f_{sat,u}$. If the plant is set to supply no more than the minimum required upward reserve, then $\Delta f_{sat,u}$ becomes equal to $\Delta f_{\sigma,u}$, as depicted in Figure 2.

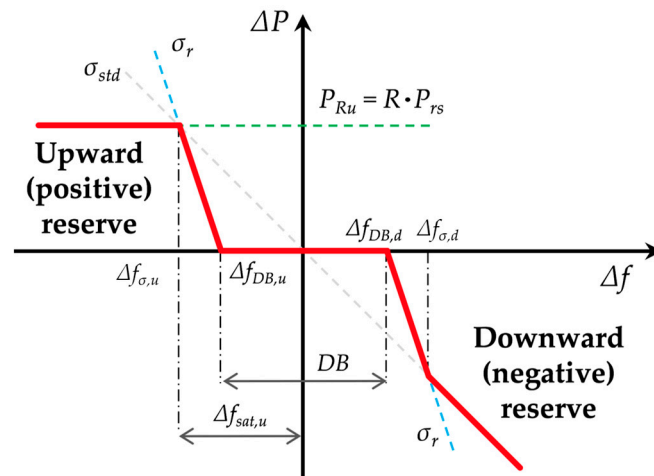


Figure 2. Required PCR contribution according to currently applied standards. The positive reserve power saturation is considered as an upward reserve minimum requirement.

Table 2. Values of the PCR curve parameters according to currently applied standards.

Frequency Thresholds		Sloops and Upward Reserve	
$\Delta f_{\sigma,u}$	-0.03 Hz	σ_{std}	-4%
$\Delta f_{DB,u}$	-0.02 Hz	σ_r	$-4\%/3$
$\Delta f_{DB,d}$	0.02 Hz	R	1.5%
$\Delta f_{\sigma,d}$	0.03 Hz	-	-

3. Technical-Economic Analysis

In this section, the BESS operating conditions are defined in order to evaluate its profitability, according to the currently applied legislation, national authority deliberations and grid codes. In the Italian market, the PCR revenue is evaluated as a reimbursement depending on the effectively supplied regulating energy, with reference to the market price evolution [23]. The PCR availability forces the generation plants to reduce their effective output from the theoretical primary source availability, at least R times the overall rated power of operating units. Since the PCR reimbursement does not depend on how the generating units provide the ancillary service, this income is not considered in the economic comparison between the traditional plant and the hybrid configuration, in which the PCR ancillary service is partially or completely supplied by means of a storage unit. By contrast, the BESS benefits are evaluated in terms of larger exploitation of the available primary source. Since the BESS contributes in supplying the upward PCR, the hydroelectric portion of the hybrid plant can increase the generated power, which means a higher energy production of the RES-based plant during the analysed time period. This economic benefit is compared with the additional costs involved by the BESS implementation, considering both the installation cost and the Operation & Maintenance (O&M) ones.

3.1. Base Case: Hydroelectric Plant

The base case is the traditional run-of-river plant, in which the PCR is made available by modulating the hydroelectric output, which means regulating the water flow rate through suitable valves or machine configurations, depending on the hydroelectric plant characteristics (rated power, head, turbine type, etc.). Plant data, primary source availability and characteristics of each generating unit are fully available since the base case is evaluated on a real power station. Grid frequency evolution is known from recorded values or making use of web-portal databases (e.g., [35]), with 1 s time resolution. The produced energy selling value V (€/MWh) is supposed to be known, depending on the market price evolution or considering specific incentives for the RES exploitation. The analysis lasts one year, in order to take into account the seasonal variations of both the primary source availability and the market price. Evaluations are made second by second, so the parameter t varies between 1 and t_M ($t_M = 31.536 \times 10^6$).

For each time instant, the plant theoretical power production $P_{th,t}$ is evaluated according to the known data on primary source availability. Parameter $O_{x,t}$ defines the state of the x th generation unit at instant t (0 means unit out of service, 1 means unit in operation) and P_{rx} is the rated power of the x th generating unit. So, the required upward reserve power $P_{Ru,t}$ is evaluated as in Equation (2), considering the overall rated power effectively in service $P_{rs,t}$, whereas the plant output power P_t is computed as the theoretical availability, reduced by the required upward reserve:

$$P_{Ru,t} = R P_{rs,t} = R \left[\sum_{x=1}^U (O_{x,t} \cdot P_{rx}) \right] \quad (2)$$

$$P_t = P_{th,t} - P_{Ru,t}. \quad (3)$$

Consequently, the overall energy production E is evaluated as in Equation (4) and the generated energy curtailment for providing PCR, named as ΔE , is computed as in Equation (5):

$$E = \sum_{t=1}^{t_M} P_t \quad (4)$$

$$\Delta E = \sum_{t=1}^{t_M} P_{Ru,t}. \quad (5)$$

3.2. Hybrid Hydroelectric Plant Including BESS

In this case, the operating conditions of the hydroelectric section depend on both the BESS sizing and its operating state, in particular the SoC. The PCR management algorithm is depicted in the block diagram of Figure 3. For each time instant t , the required upward reserve power $P_{Ru,t}$ is computed according to (2). At the same time, depending on the state of charge evaluated in the previous time instant SoC_{t-1} and taking into account the BESS discharging efficiency η_D and charging efficiency η_C , the storage unit maximum contributions in discharge $P_{MD,t}$ and in charge $P_{MC,t}$ are assessed according to (6) and (7) respectively. The SoC admitted range ($SoC_{min}-SoC_{max}$) and the time instant duration Δt are considered. The BESS rated energy is named E_{BESS} , whereas t_{Dmin} and t_{Cmin} are the minimum allowed discharging time and charging time. These parameters could be related to SoC_{t-1} according to the battery system specifications. For the first instant evaluation ($t = 1$), the initial state of charge SoC_0 has to be provided as input to the procedure.

$$P_{MD,t} = \min \left[\frac{(SoC_{t-1} - SoC_{min}) \cdot \eta_D \cdot E_{BESS}}{\Delta t}, \frac{E_{BESS}}{t_{Dmin}} \right] \quad (6)$$

$$P_{MC,t} = \min \left[\frac{(SoC_{max} - SoC_{t-1}) \cdot E_{BESS}}{\eta_C \cdot \Delta t}, \frac{E_{BESS}}{t_{Cmin}} \right] \quad (7)$$

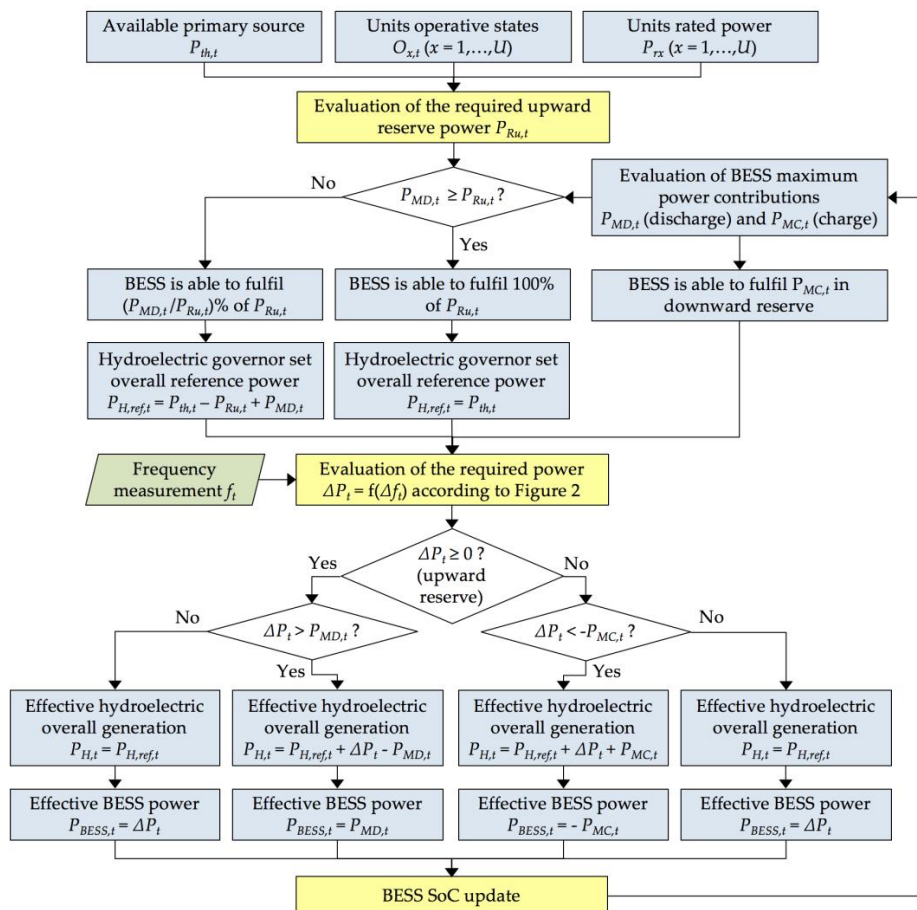


Figure 3. Flow chart representing the hybrid plant management in supplying PCR. Firstly, the hydroelectric reference power is evaluated depending on the BESS operating conditions, then the effective set-points are defined for both the BESS and the hydroelectric units according to the measured frequency.

In case the storage unit is able to completely provide the upward reserve power, the output power reference of the hydroelectric part $P_{H,ref,t}$ is equal to the available primary source $P_{th,t}$, i.e., the generators operate without modulation. Otherwise, both the BESS and the hydroelectric section partially contribute to the upward reserve power, depending on $P_{MD,t}$. Therefore, hydroelectric governors are set with an overall reference power $P_{H,ref,t}$ evaluated as in Equation (8):

$$P_{H,ref,t} = P_{th,t} - P_{Ru,t} + P_{MD,t}. \quad (8)$$

Given a frequency deviation at time instant t , named as Δf_t , the PCR active power contribution ΔP_t is evaluated accordingly to the required curve depicted in Figure 2. In case of under-frequency, the BESS is required to contribute first, whereas the hydroelectric generation intervenes if $\Delta P_t > P_{MD,t}$. Similarly, an over-frequency exceeding the regulation dead-band involves the charge of the storage unit and secondly the reduction of the hydroelectric generation.

Finally, defining the storage unit equivalent efficiency η as in Equation (9), the BESS SoC at the end of the considered time instant, SoC_t , is updated as in Equation (10). Again, both η_D and η_C could be related to the BESS SoC according to the specific batteries' characteristics, if known:

$$\begin{cases} \eta = 1/\eta_D \text{ in discharging phase } (\Delta P_t \geq 0) \\ \eta = \eta_C \text{ in charging phase } (\Delta P_t < 0) \end{cases} \quad (9)$$

$$SoC_t = SoC_{t-1} - \frac{\eta \Delta P_t \Delta t}{E_{BESS}}. \quad (10)$$

In case the BESS SoC approaches its upper or lower operational constraints, SoC_{max} and SoC_{min} , respectively, reductions of the available charging and discharging power are introduced, as previously described in Equations (6) and (7).

Operating the hybrid plant as discussed above allows for increased renewable energy production. This, weighted with the sold energy unitary price V , corresponds to the BESS investment income. This revenue is supposed to be constant during all the BESS lifetime. On the other hand, both the installation cost (e.g., batteries, power electronics, electric panels, etc.) and the O&M costs are included in the business plan. The storage system installation cost C is evaluated as in Equation (11) to represent different price trends by modifying coefficients a and b , depending on the considered technology and BESS size E_{BESS} . O&M costs are related to the installation cost C :

$$C = a + b E_{BESS}. \quad (11)$$

The BESS yearly ageing A , in terms of equivalent cycles per year, is computed as in Equation (12), taking into account the sole discharging phase. Considering the PCR ancillary service characteristics, it is worth noting that this is a conservative approximation, since the BESS ageing is reduced in case deep discharges are not frequently required.

$$A = \frac{\sum_{t=1}^M \eta \overline{\Delta P_t} \Delta t}{E_{BESS}} \text{ where } \begin{cases} \overline{\Delta P_t} = \Delta P_t & \text{if } \Delta P_t \geq 0 \\ \overline{\Delta P_t} = 0 & \text{if } \Delta P_t < 0 \end{cases} \quad (12)$$

The procedure evaluates the IRR, the Net Present Value (NPV) and the Pay-Back Time (PBT) as output of the BESS economic characterization. No financing mechanisms are considered to allow a direct analysis of the BESS investment profitability. Different BESS sizes are compared, making use of the IRR as discriminant parameter and considering an opportune reduction of the unitary cost with the increase of the storage size E_{BESS} .

The economic analysis does not consider the dynamic behaviour of the hybrid plant in case of frequency perturbations. As demonstrated below, a traditional plant, without storage units, has its own dynamic response, which is not so fast due to hydraulic and mechanical constraints. By contrast,

considering the extremely short response time of a BESS, a hybrid plant could make available the required PCR (or part of it) in a very short time, increasing the amount of the supplied reserve energy, which increases the plant profitability. So, having excluded the dynamic response of the plant from the economic analysis is a conservative hypothesis.

4. Dynamic Behaviour of the Hybrid Plant

In the previous section the hybrid plant was studied from an economic point-of-view as a series of subsequent steady-state regimes. Otherwise, this section aims to investigate the dynamic behaviour of the overall generating unit in case of frequency perturbations. A complete control system is developed to provide the required PCR according to the generation plant operating conditions, as illustrated in Figure 4. The control system interacts with both the BESS inverter (interfacing the storage unit with the rest of the generation system) and each hydroelectric unit. Double-framed blocks represent physical devices, whereas single-framed ones are internal controllers.

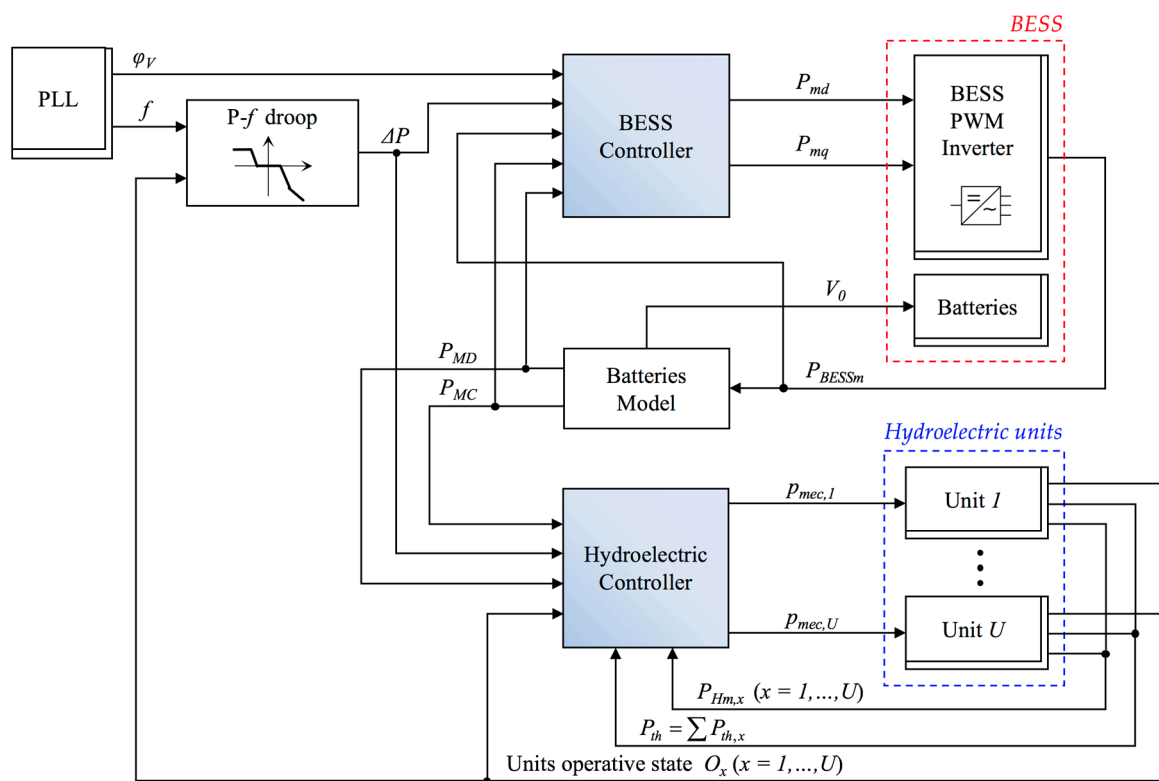


Figure 4. Overall representation of the hybrid system controller. The required reserve is supplied by both the BESS and the hydroelectric units depending on the storage system operating conditions (priority is assigned to the BESS).

In detail, a Phase Locked Loop (PLL) installed on the generator Point of Delivery (PoD) measures the network frequency f and the reference voltage angle φ_V required to correctly drive the power electronic converter synchronizing it with the main grid [36,37]. The signal f is used by the block P - f droop to define the PCR active power contribution required to the overall plant ΔP , according to the droop curve (Figure 2) and taking into account which of the hydroelectric units are effectively in operation (O_x , with $x = 1, \dots, U$).

Each storage system array is modelled as N_s cells, with nominal voltage V_{cell} (V) and rated capacity C_{cell} (Ah), connected in series (N_s is defined according to the inverter DC voltage operating range).

The number of parallel connected arrays N_p is defined to achieve the desired value of the rated storage energy E_{BESS} (kWh), as in Equation (13):

$$E_{BESS} = N_p N_s V_{cell} C_{cell}. \quad (13)$$

The block *Batteries Model* implements Equation (14) to estimate the SoC, knowing the initial value SoC_0 and integrating the BESS effective power P_{BESSm} , as measured at the inverter terminals. The equivalent efficiency η is defined similarly to Equation (9) depending on the sign of P_{BESSm} . According to the evaluated SoC, the BESS maximum power contribution in discharge P_{MD} and in charge P_{MC} are directly evaluated. Furthermore, the evaluated SoC has influence on the batteries no-load voltage V_0 .

$$SoC = SoC_0 - \frac{\int_0^t \eta P_{BESSm} dt}{E_{BESS}} \quad (14)$$

The BESS is required to firstly contribute to the PCR in case a frequency variation exceeding the allowed dead-band is measured by the PLL. Figure 5 defines the internal scheme of the block *BESS Controller*. The overall plant required reserve ΔP is compared with the effective BESS active power exchange P_{BESSm} . A Proportional-Integral (PI) controller, equipped with an anti-windup internal loop, computes the direct current set-point $I_{d,ref}$, whereas the quadrature current reference signal $I_{q,ref}$ is set to zero since no reactive power contribution of the storage unit in supplying the voltage regulation is here considered. The following block drives the power electronic converter (block *BESS PWM Inverter* in Figure 4) via the pulse width modulation factors P_{md} and P_{mq} .

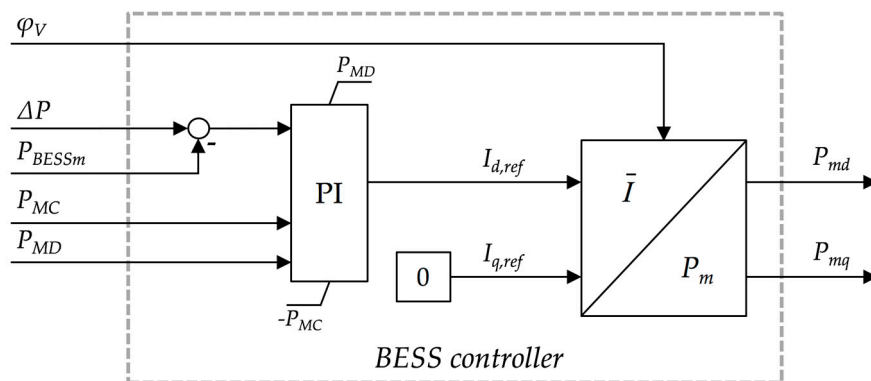


Figure 5. Detailed representation of the block *BESS Controller* of Figure 4. According to the maximum admitted charging and discharging power of the storage unit, the BESS power converter is driven to partially or completely supply the required reserve.

The internal scheme of the block *Hydroelectric Controller* in Figure 4 is detailed in Figure 6. On the left-hand side, the required upward power contribution P_{Ru} is computed knowing the state of the hydroelectric units O_x and their rated power P_{rx} ($x = 1, \dots, U$), according to (2). The available power P_{th} is computed as the sum of the power availabilities $P_{th,x}$ of each x th unit. In case the BESS maximum discharge power P_{MD} is not enough to completely provide the required upward reserve (due to the storage size or its operating conditions in terms of SoC), the hydroelectric governor sets the overall reference power $P_{H,ref}$ lower than the available power P_{th} to make the hydroelectric generators able to partially contribute to the upward reserve. Concurrently, the required PCR contribution ΔP is compared with P_{MD} and P_{MC} to define the effective contribution ΔP_H required of the hydroelectric section of the hybrid plant (ΔP_{H+} is higher than zero if the BESS does not completely provide the required ΔP in case of severe under-frequency, similarly for ΔP_{H-}). Finally, the hydroelectric section reference power P_H is computed by summarizing the reference operating power $P_{H,ref}$ with the required variation ΔP_H .

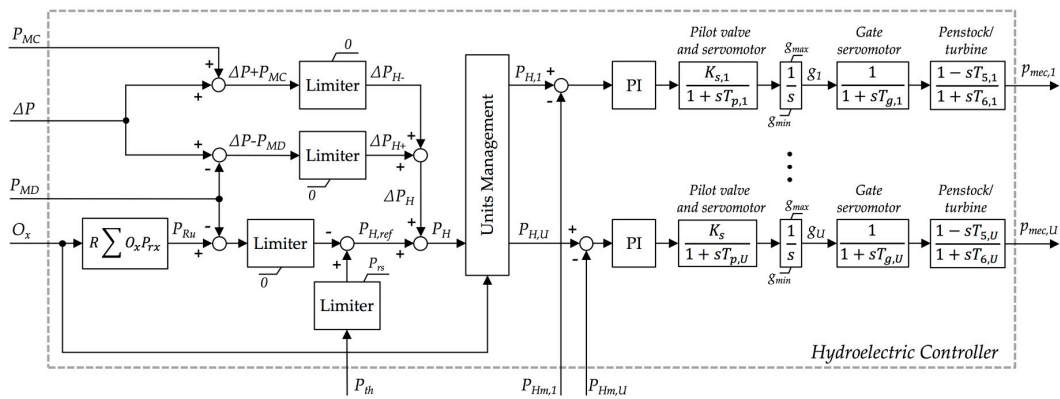


Figure 6. Internal scheme of the block *Hydroelectric Controller* of Figure 4. The element evaluates the contribution of the hydroelectric section in supplying the required reserve and later defines the mechanical power reference signal for each unit.

The block *Unit Management* shares the reference signal P_H among the hydroelectric units in operation. Later, U independent controllers regulate the hydroelectric units; reference signals $P_{H,x}$ are compared with the measured generations $P_{Hm,x}$ and the obtained errors are elaborated by suitable PI controllers [38]. Since hydroelectric plants' behaviour is strongly affected by water inertia, this is represented as two servomotors for each unit, acting on the control gate. The first low-power servomotor, equipped with a pilot valve controlled by an electronic regulator, operates the distributor valve of the high-power gate servomotor. So, blocks *Pilot valve and servomotor* and *Gate servomotor* describe the dynamic behaviours of the pilot and the main valve/servomotor systems respectively. For the x th hydroelectric unit, $K_{S,x}$ is the gate servomotor gain, $T_{p,x}$ is the pilot servomotor time constant and $T_{g,x}$ is the gate servomotor time constant. The resulting control signal g_x , limited within the admitted range ($g_{min}-g_{max}$), is the gate position of the x th unit.

The block *Penstock/turbine* describes the linear model of the penstock/turbine system. For each x th unit, the mechanical power reference signal in per unit, $p_{mec,x}$, is obtained according to the evaluated gate position g_x and the hydraulic system dynamic response. The water inertia time constant $T_{W,x}$ is given by Equation (15), so water column time constants $T_{5,x}$ and $T_{6,x}$ are defined in Equations (16) and (17) [39]:

$$T_{W,x} = \frac{Q_x L_x}{g_v A_x H_x} \quad (15)$$

$$T_{5,x} = P_{0,x} T_{W,x} \quad (16)$$

$$T_{6,x} = \frac{1}{2} T_{5,x} = \frac{P_{0,x} T_{W,x}}{2}. \quad (17)$$

In the above equations, referring to the x th unit, Q_x is the water flow rate in ($\text{m}^3 \cdot \text{s}^{-1}$), L_x is the length of the penstock in (m), g_v is the gravity acceleration in ($\text{m} \cdot \text{s}^{-2}$), A_x is the penstock cross-sectional area in (m^2), H_x is the net hydraulic head in (m) and $P_{0,x}$ is the hydraulic power in steady-state operating conditions, in per unit of the rated value.

No limits to the PCR contribution are implemented in the control scheme in case of over-frequency, according to grid codes [5]. If required, the plant output power can be reduced until the technical minimum constraint is reached.

5. Case Study

A real run-of-river hydroelectric power plant is considered in the case study as base configuration. The plant consists of three synchronous generators (named as units) connected to the transmission grid as illustrated in Figure 7. Generators have rated power 2.36 MW ($U1$) and 5.22 MW (both $U2$ and $U3$), for an overall plant rated value of 12.8 MW. The hydraulic characteristics of each unit are summarized

in Table 3. Generators operate at rated voltage 6.3 kV, so a 132/6.3 kV step-up power transformer is required for the generator's connection to the main grid. The node *HV busbar* is supplied by an equivalent network (element *External Grid*) with short circuit current of 50 kA (corresponding to a short circuit power of about 11.4 GVA).

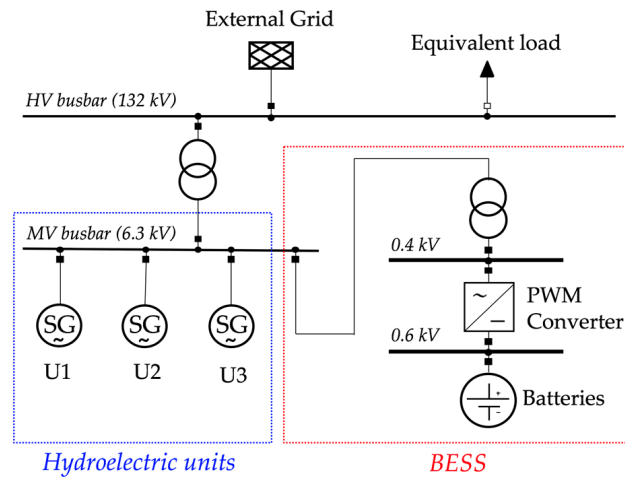


Figure 7. Case study representing the hybrid run-of-river hydroelectric plant. A lithium-based BESS is connected in parallel with the hydroelectric units to partially or completely supply PCR.

Table 3. Main data for each x th hydroelectric unit composing the real case study.

Parameter (Unit of Measure)	Unit U1	Unit U2	Unit U3
Rated power P_{rx} (MW)	2.36	5.22	5.22
Water flow rate Q_x ($\text{m}^3 \cdot \text{s}^{-1}$)	3.0	6.5	6.5
Penstock length L_x (m)	3000	3000	3000
Penstock cross-sectional area A_x (m^2)	1.18	2.55	2.55
Net hydraulic head H_x (m)	90	90	90
Water inertia time constant T_W (s)	8.64	8.66	8.66
Produced energy selling value V (€/MWh)	95.2	95.2	95.2

It is worth noting that a run-of-river hydroelectric plant rarely operates at rated power. The real state trends of the hydroelectric units are shown in Figure 8a and summarized in Figure 8b, the latter representing the duration curves of both the operating rated power P_{rs} and the effective hydroelectric production P_H . Equivalent values are reported in Table 4. It is clearly demonstrated how all three units are simultaneously in operation for only 5.9% of the overall observation period, which is one year, whereas the plant overall operating rated power P_{rs} is lower than half of the installed rated power P_r for a relative time duration of around 73.3%. This, reflecting a yearly equivalent unitary production of 2196 kWh/kW, is an intrinsic characteristic of this type of renewable plants, which are highly affected by seasonal variations in the river flow rate. Considering that the present standards evaluate the required upward PCR according to P_{rs} , Table 4 reports in the last column the minimum upward reserve the plant has to guarantee depending on the state of each unit. Furthermore, the black dot in Figure 8b indicates the plant operating conditions used as initial state for the dynamic simulations described below.

The technical–economic analysis of a hybrid plant integrating a BESS has been performed assuming a storage system connected in parallel with the three units. Considering the expected size of the BESS and the technology evolution of power electronic devices, the storage unit is connected making use of a dedicated 6.3/0.4 kV transformer. An opportune value of 600 V is assumed as BESS DC busbar rated voltage.

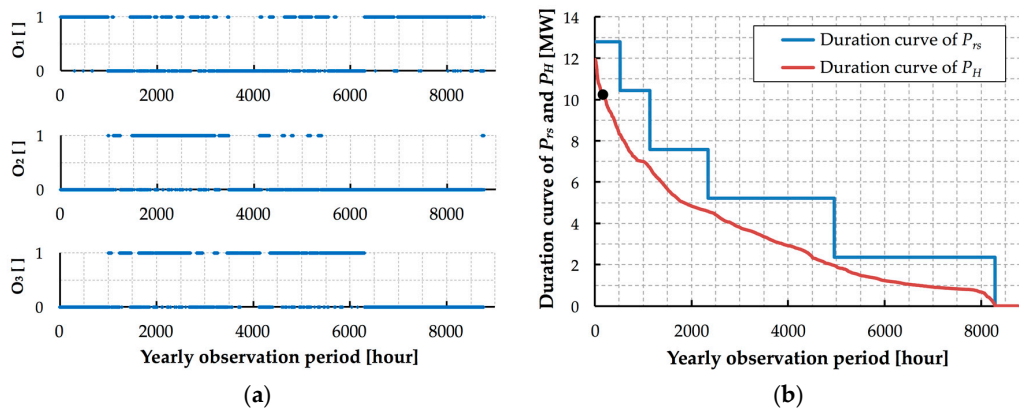


Figure 8. Time trends of the three hydraulic units operating states O_x ($x = 1, \dots, 3$) (a); the time duration curves of both the overall operating rated power P_{rs} and the effective hydroelectric production P_H are reported in (b).

Table 4. Time durations of the possible hydroelectric configurations in terms of overall operating rated power. Consequently, the required upward power reserve is evaluated in the last column.

Configuration	States of Hydroelectric Units	Overall Operating Rated Power P_{rs} (MW)	Relative Time Duration	PCR Upward Required Power P_{Ru} (kW)
0	$U1, U2$ and $U3$ OFF	0	5.5%	0
1	$U1$ ON, $U2$ and $U3$ OFF	2.36	38.0%	35.4
2	$U1$ OFF, $U2$ or $U3$ ON	5.22	29.8%	78.3
3	$U1$ ON, $U2$ or $U3$ ON	7.58	13.8%	113.7
4	$U1$ OFF, $U2$ and $U3$ ON	10.44	7.0%	156.6
5	$U1, U2$ and $U3$ ON	12.80	5.9%	192.0

In this work, for selecting the electrochemical storage technology to be used in both the technical–economic analysis and the dynamic simulations, few issues have been considered, taking into account the main characteristics of available technologies, as briefly reported in Figure 9 (obtained from [40]):

- PCR is required for R times the generating plant rated power, if all the generating units are in operation;
- The rated power of hydroelectric plants connected to the HV transmission network typically varies between few MW and hundreds of MW. Considering the previous point and sizing the BESS according to the required upward reserve, a storage unit with discharging power varying between tens of kW and 10 MW is able to fully cover the reserve contribution in case of under-frequency;
- PCR is classified as a power ancillary service, since it is required for the stabilization of the power system in the quarter-hour after the frequency perturbation (this time duration is introduced by the standards to prevent frequency oscillations during the secondary regulation), as illustrated in Figure 1. Considering that several frequency perturbations with the same sign could be recorded in sequence, this means that a storage technology with discharging time between a few tens of minutes and a couple of hours is required (it should be noted that the BESS has to maintain its SoC around 50% in normal conditions, to be able to regulate both upward and downward);
- Taking into account the frequency trend over time, hundreds of equivalent charging/discharging cycles are expected on a yearly basis. This requires adopting a storage technology with a lifetime of thousands of cycles or more to preserve the BESS investment profitability. Alternatively, considering other storage technologies (e.g., lead acid batteries), severe oversizing could be needed to cover the required number of charging/discharging cycles (i.e., increasing the minimum admitted SoC), with consequent increase of weight, physical dimensions and costs.

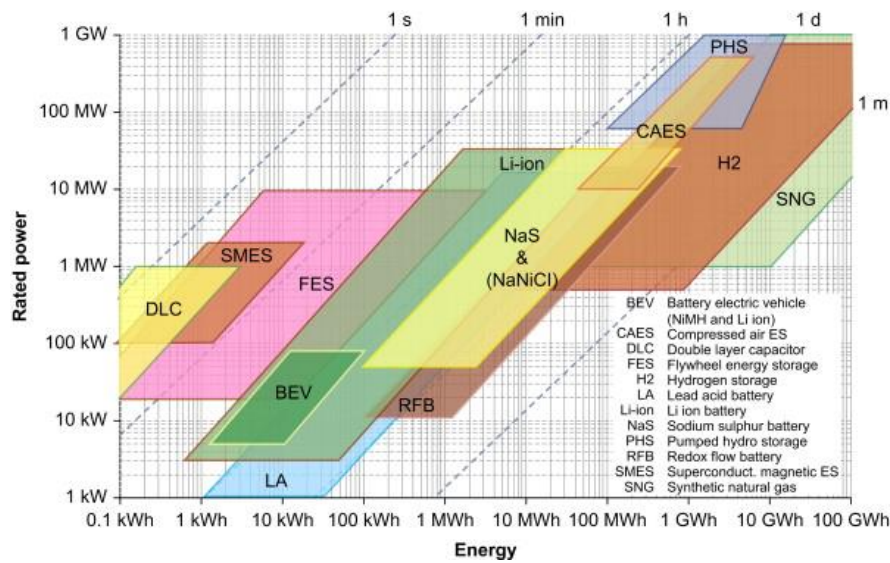


Figure 9. Comparison of different energy storage technologies in terms of rated power, storable energy and discharge time of [40].

Basing on the above criteria, a lithium-based BESS has been considered. This choice is confirmed by other studies investigating the integration of BESSs for PCR applications [34] since this technology ensures low self-discharge, high efficiency, long calendar and cycle life [3,18]. In addition, the BESS maximum power, in both charging and discharging phases, is almost unaltered varying the internal SoC. In particular, the Lithium-Iron-Phosphate (LiFePO_4 , frequently called LFP) and the Lithium-Titanate (LTO) technologies seem to be two of the most appropriate solutions for this kind of application [33]. Both the technical–economic analysis and the dynamic simulations do not consider the specific type of Lithium-ion battery (in terms of cathode material, anode material, electrolyte, etc.), since this choice will be done in the future final design of the storage system composing the hybrid hydroelectric plant. In addition, it should be noted that other storage technologies such as molten-salt based batteries, either Sodium-Sulphur (NaS) or Sodium-Nickel (Na-NiCl_2) batteries depending on the storage size, can be easily implemented in both the technical-economic model and the dynamic simulations. According to the selected storage technology, Table 5 collects all the relevant data considered by the authors in the case study.

Table 5. Main BESS data used in the technical–economic analysis for optimally sizing the storage unit (with reference to the lithium-based storage technology).

Parameter (Unit of Measure)	Value
Analysed range of rated storage energy E_{BESS} (kWh)	30–300
Minimum admitted discharging time t_{Dmin} (h)	1.5
Minimum admitted charging time t_{Cmin} (h)	1.5
Cell capacity C_{cell} (Ah)	27.9
Cell rated voltage V_{cell} (V)	3.6
Number of series connected cells N_s ()	166
Number of parallel connected arrays N_p (in case $E_{BESS} = 100$ kWh) ()	6
Discharge efficiency η_D (including power electronics) (%)	94%
Charge efficiency η_C (including power electronics) (%)	94%
SoC admitted range (SoC_{min} – SoC_{max}) (%)	30%–90%
Investment cost in the base case: a (k€)	18.3
Investment cost in the base case: b (€/kWh)	690
O&M yearly cost (in % of the investment cost C) (%)	2%
Cycle life (considering the admitted SoC range) (cycles)	5000

An equivalent load is connected to the HV node to represent other users either connected to the same substation or electrically close, e.g., distribution networks supplied by the HV busbar as in [41]. Network events used to test the hybrid plant behaviour are obtained by varying the load absorption. Simulation results are analysed for different BESS sizes.

5.1. Results of the Technical–Economic Analysis

The procedure developed by the authors and described in Section 3 is here applied to the case study to define the optimal size of the BESS. Both the yearly simulations and the final economic analysis are carried out in a MATLAB environment.

Grid frequency data are obtained from [35], with one-second resolution. For the largest part (about 70%) of the analysed period (one year, from March 2014 to February 2015), frequency fluctuates within the dead-band defined in Figure 2 and Table 2. Outside the dead-band, under-frequency and over-frequency values have a nearly symmetric distribution. The grid frequency Probability Density Function (PDF), reported in Figure 10, shows that almost all the frequency perturbations are within ± 50 mHz, according to frequency statistics described in other research works [6,19,26].

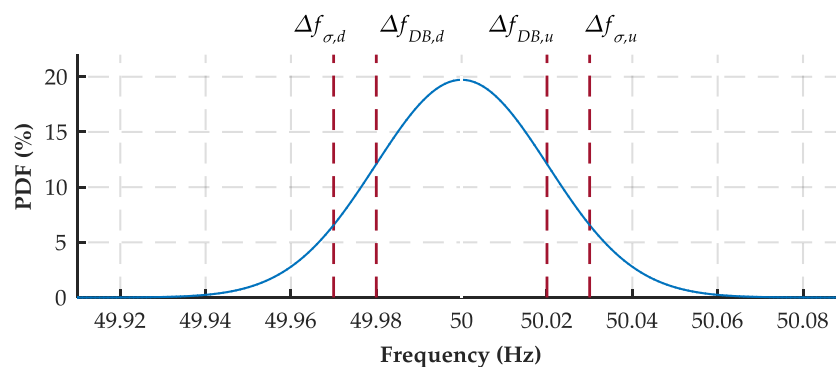


Figure 10. Probability density function of the grid frequency trend (data are available from [35]). In the figure, the frequency thresholds introduced in Figure 2 and defined in Table 2 are reported.

Considering the base case, the actual renewable energy availability and the required upward reserve ($R = 1.5\%$), the analysed run-of-river plant results in a yearly curtailment ΔE equal to 656 MWh, which corresponds to 2.33% of the overall plant production E (28,108 MWh). This causes an income reduction of about 62.5 k€/year, according to the produced energy selling value V (€/MWh), in form of constant incentive as reported in Table 3. The BESS role is reducing the energy curtailment by partially supplying the required power reserve.

First of all, the primary source availability is expected to dramatically affect the sizing procedure. In fact, considering the operating state trends of the hydroelectric units and remembering that the PCR is required for the operating rated power (rather than the effective plant output), the full provision of PCR by means of a storage unit could increase the renewable production (up to $R/(1 - R)$ or more). On the other hand, a higher size BESS could prove to be unused for long periods of time if no significant frequency perturbations happen. Furthermore, the BESS price trend with increasing E_{BESS} is expected to be an influencing issue.

In order to obtain a representative case study, different BESS sizes and multiple BESS price trends are here considered, namely:

- The BESS size E_{BESS} is varied between a very limited value (30 kWh) and the size able to completely provide the upward power reserve (300 kWh), in accordance with the minimum discharging time t_{Dmin} reported in Table 5;
- Five BESS price trends are introduced by modifying the coefficients a and b of formula (11), as depicted in Figure 11a. Values reported in Table 5 represent the base case (bold black line).

In the economic analysis, the discount rate r , i.e., the return that could be earned per unit of time on an investment with similar risk, is assumed to be equal to 5.0%. Economic profitability is graphically reported in Figure 11b, whereas Table 6 details the results obtained by considering the base case in terms of BESS price trend. Even if almost all of the analysed BESS sizes results are economically interesting ($IRR > r$), the discontinuous primary source availability, reflecting the operating state trends of hydroelectric units, makes a reduced BESS size of 66.7 kW/100 kWh more profitable (column reported in red in Table 6). This storage system is able to fully supply the required upward PCR only in configuration 1 (larger units $U2$ and $U3$ switched off), whereas a contribution of the hydroelectric section of the overall hybrid plant is required for configurations 2 to 5.

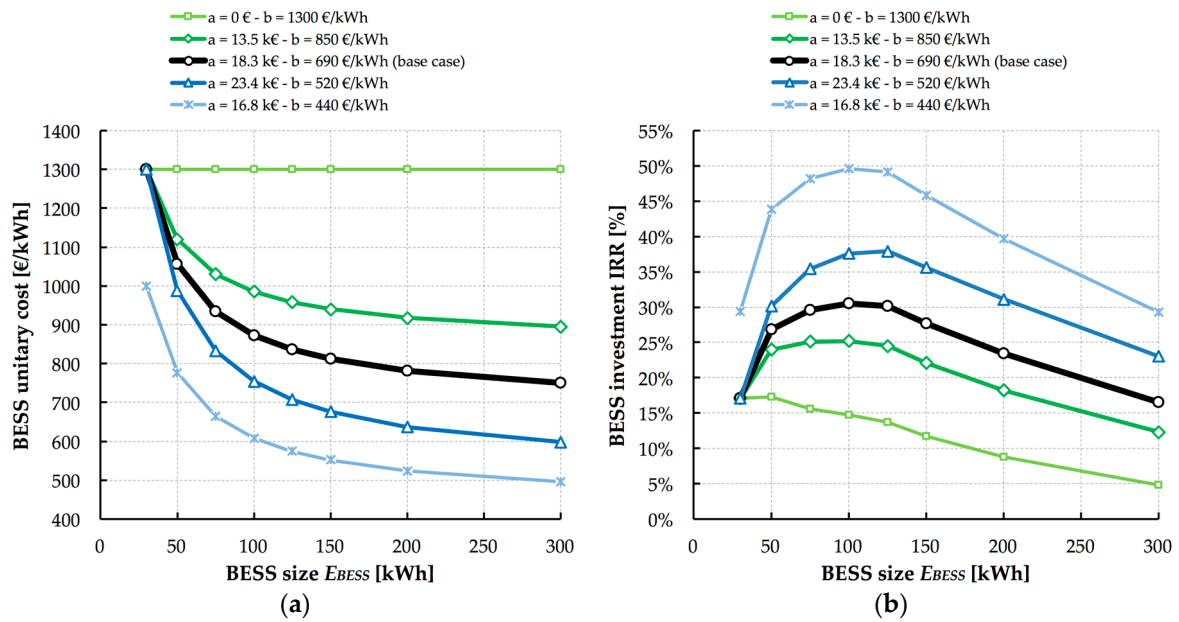


Figure 11. Considered BESS price trends depending on the storage system size (a); BESS profitability in terms of investment IRR depending on the BESS size and the considered price trend (b). The base case is reported with a bold black line in both diagrams.

Table 6. Results of the technical–economic analysis defining the optimal BESS size (indicated with red color) in the base case ($a = 18.3 \text{ k€}$, $b = 690 \text{ €/kWh}$). The primary source availability, and consequently the hydroelectric units operating state trends, makes more profitable a BESS able to partially supply the required upward reserve when at least $U2$ or $U3$ are in operation.

Parameter (Unit of Measure)	Lithium-Ion BESS								
E_{BESS} (kWh)	30	50	75	100	125	150	200	300	
Yearly revenue (k€/year)	13.4	22.4	30.0	36.9	42.8	46.3	51.5	56.6	
Yearly equivalent aging A (cycles/year)	794	729	640	569	514	463	388	289	
BESS lifetime (years)	6	6	7	8	9	10	12	17	
BESS upward energy (MWh/year)	13.4	20.6	27.1	32.1	36.2	39.2	43.7	48.9	
BESS upward energy (%)	21.6%	33.2%	43.6%	51.8%	58.4%	63.2%	70.5%	78.9%	
BESS downward energy (MWh/year)	15.2	23.3	30.6	36.4	41.0	44.4	49.6	55.4	
BESS downward energy (%)	19.4%	29.7%	39.1%	46.4%	52.4%	56.7%	63.3%	70.8%	
BESS unitary cost C/E_{BESS} (€/kWh)	1300	1056	934	873	836	812	782	751	
BESS cost C (k€)	39.0	52.8	70.1	87.3	104.6	121.8	156.3	225.3	
Discounted PBT (years)	4	3	3	3	3	4	4	5	
NPV (k€)	25	55	95	140	185	217	273	362	
IRR (k€)	17.1%	26.8%	29.6%	30.5%	30.1%	27.7%	23.4%	16.5%	

Despite the small size, the economically optimal BESS size is able to supply a significant part of the overall reserve energy, both upward (51.6%) and downward (46.2%). It is worth noting that, in absolute terms, the upward regulating energy supplied by the BESS is lower than the downward

energy contribution due to a couple of reasons: (i) no saturation on the downstream reserve is allowed by grid codes, so the overall plant downward reserve energy (78.3 MWh/year) is considerably higher than the overall plant upward reserve energy (62.0 MWh/year), even if the frequency statistical distribution is almost symmetrical (Figure 10); (ii) the BESS efficiency requires the charging energy to be higher than the discharging energy. The reduced optimal size of the BESS results in more frequent use of the storage unit, even if this does not dramatically impact on its ageing: a reasonable lifetime of eight years is allowed with investment IRR higher than 30%.

A larger BESS should be able to supply a larger part of the overall plant reserve energy in a year, but this income increase does not compensate for the additional installation costs, even if a longer life is expected due to the reduction of the BESS yearly ageing.

Figure 11b further demonstrates the influence of the BESS unitary price on the optimal sizing results. Even if the obtained trends are similar, the storage unit optimal size is affected by the BESS price reduction while E_{BESS} increases. Keeping constant the BESS unitary price (i.e., $a = 0$ as represented with the light green line), the optimal size of the storage unit decreases.

5.2. Dynamic Simulations Results

In this section, dynamic simulations are carried out making use of the power system analysis software DIgSILENT PowerFactory to demonstrate the improvements obtainable by partially or completely supplying PCR by means of a battery storage unit. The generating plant is supposed to have RES availability P_{th} equal to 80% of its rated value (the plant initial conditions are represented with the black dot in Figure 8b). For convenience, considering the short duration of dynamic simulations, P_{th} is supposed constant. All the units are in operation ($O_x = 1$ for each $x = 1, \dots, U$, where $U = 3$). In particular, three scenarios are analysed:

- Scenario 1: traditional hydroelectric run-of-river plant, which supplies PCR only regulating the hydraulic power;
- Scenario 2: hybrid hydroelectric power plant, in which the BESS size is defined according to the previous economic analysis ($E_{BESS} = 100$ kWh). In this configuration, the upward reserve (192 kW as defined in Table 4) is partially supplied by the BESS;
- Scenario 3: hybrid hydroelectric power plant, in which the BESS is able to supply the entire upward reserve, according to its internal operating conditions in terms of SoC admitted range ($E_{BESS} = 300$ kWh).

In Figure 12a, at $t = 10$ s, the load connected to the HV busbar increases by 40 MW in 1 s (ramp variation), resulting in severe system under-frequency (first plot). The frequency perturbation overpasses both the dead-band limit $\Delta f_{DB,u}$ (2.84 s after the load perturbation) and the reduced droop area $\Delta f_{\sigma,u}$ (at $t = 15.15$ s), so in the final steady-state condition the plant is required to supply upward reserve up to R times its operating rated power. It is worth noting that, since only one power plant supplying PCR is considered, the frequency trend at the HV busbar does not change when varying the scenario.

In the second plot, the BESS contribution is reported to give evidence of the storage size impact. The black line refers to the economically optimal BESS size (Scenario 2), whereas the green trend represents the behaviour of the storage unit in Scenario 3. Referring to Scenario 2, once the frequency exceeds the admitted dead-band, the first power contribution is supplied by the storage unit, until the BESS maximum discharging power P_{MD} is reached. In case the BESS is not able to supply the required upward PCR (depending on the frequency perturbation depth, black line), the hydroelectric units are called to increase their output power, as seen in the third plot of Figure 12a. A direct comparison with a traditional hydroelectric run-of-river plant (blue line) is reported, giving evidence of how the hydraulic characteristics affect the dynamic behaviour of renewable units. In particular, immediately after the frequency variation, the water column response causes a power variation with opposite sign respective to the desired upward reserve.

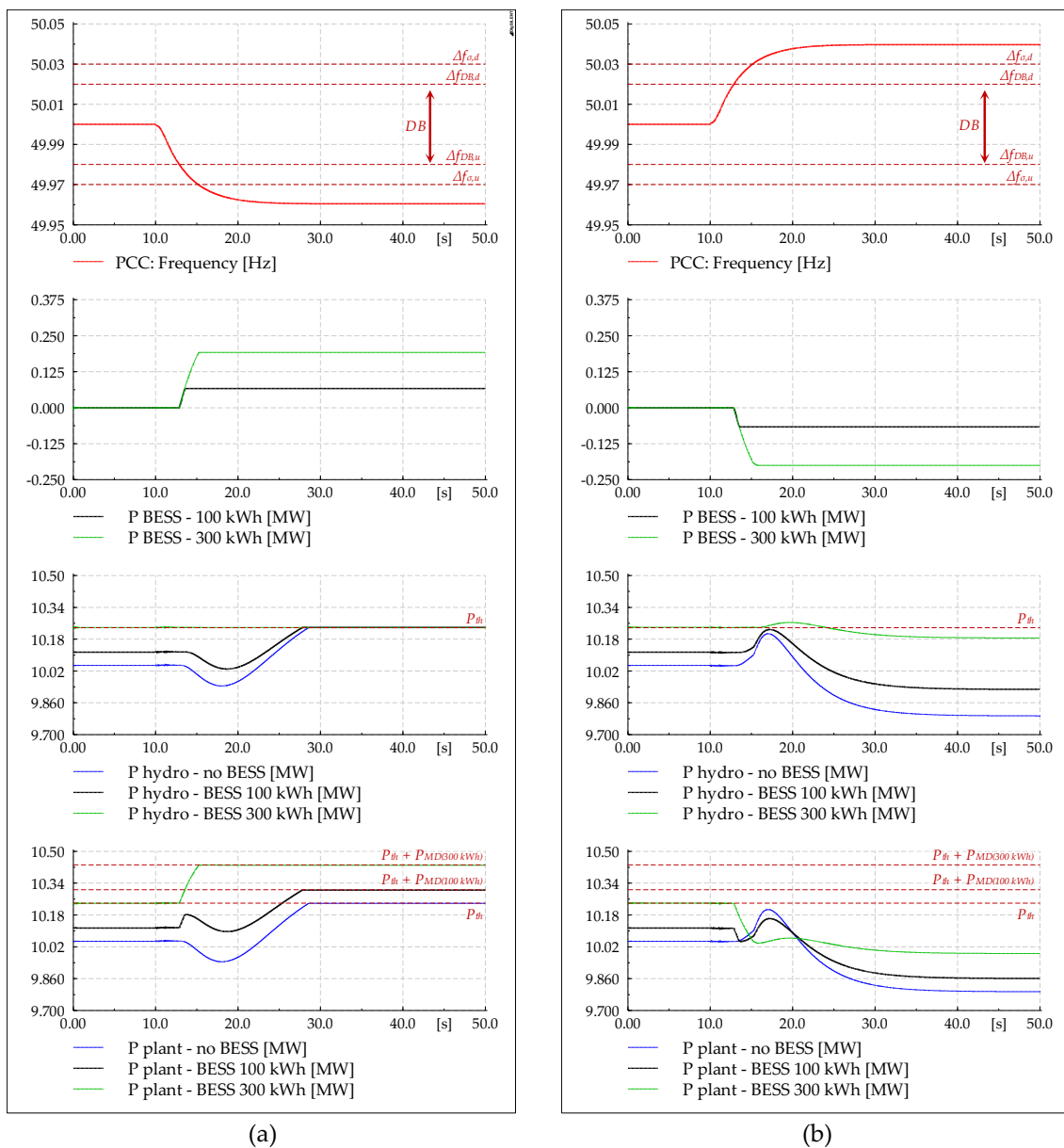


Figure 12. Dynamic simulations reporting the time trends of the hybrid run-of-river plant in the three scenarios, considering (a) an under-frequency perturbation and (b) an over-frequency perturbation. Both the sub-figures report the frequency evolution; the PCR contribution supplied by the BESS; the hydroelectric output power; the hybrid plant overall output power.

In the last plot, the overall plant production trends are reported, with the same colour legend. First of all, it is worth noting that in the initial condition, when frequency is within the dead-band, the BESS allows the hybrid plant to operate closer to its renewable availability P_{th} (black and green lines depending on the BESS size), which means increasing the overall energy production in a long-term analysis. The RES power output in steady-state conditions is increased the least between P_{MD} and P_{Ru} (in Scenario 2 $P_{MD} < P_{Ru}$; the opposite is true for Scenario 3).

The significant contribution of the BESS in terms of system stability clearly appears by comparing the hybrid plant trends with a traditional hydroelectric configuration (blue line). A large-scale BESS supplies all the required PCR in a very short time (in accordance with the frequency time evolution) and without power oscillations. A reduced size storage unit is still able to improve the hybrid plant response by compensating for the initial hydraulic behaviour immediately after the frequency

perturbation, when the PCR is more critical for the system stability since a fast response directly reduces the frequency variation width.

Similar conclusions can be drawn analysing an over-frequency perturbation. In Figure 12b, a 40 MW ramp decrease of the HV equivalent load is introduced at $t = 10$ s (ramp duration equal to 1 s). The initial behaviour of the plant is similar to the previous case. However, since the present standards impose no limitations on the downward reserve contribution, even if the storage system is sized to completely provide the upward reserve, in all the scenarios the hydroelectric section of the hybrid plant could be asked to modulate its output power in case the PCR contribution exceeds the BESS maximum charging power P_{MC} . It is possible to observe how, during the transient phase in Scenario 3, modulating the hydroelectric output by reducing the water flow results in an overall hydroelectric generation temporarily higher than P_{th} , which represents the hydraulic availability only in steady-state conditions.

Finally, the BESS regulating action perfectly follows the frequency perturbation trend, whereas requiring reserve power to the hydroelectric units causes output power slow fluctuations depending on the hydraulic inertia. This can be distinctly appreciated by reporting the dynamic simulations of Figure 12 in the frequency/power plane (Figure 13) and comparing the obtained trends with the desired one defined by grid codes (Figure 2). Simulations of Figure 12a are reported on the left-hand side of Figure 13, whereas on the right-hand side the over-frequency perturbation is shown. Power oscillations of hydroelectric units in the horizontal parts of the reported behaviours (i.e., frequency within the dead-band) are observed immediately after the load perturbations and the consequent frequency trends.

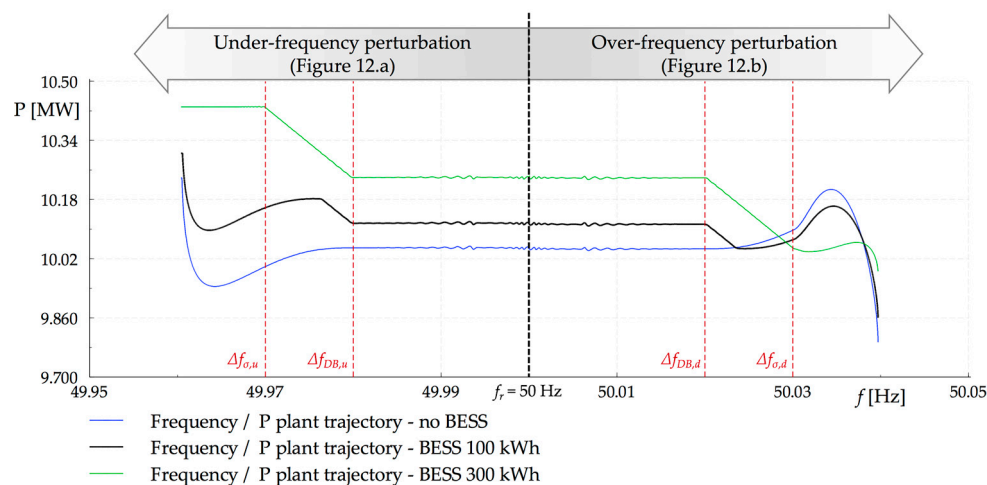


Figure 13. Comparison between the frequency/power trajectories in case of both traditional run-of-river plant (blue line) and hybrid systems including BESSs of different sizes (the black line refers to the economically optimal BESS size). The positive reserve contribution (i.e., under-frequency, left-hand side) and the negative reserve contribution (i.e., over-frequency, right-hand side) are reported in the same picture. The hybrid generation plant is able to perfectly follow the required PCR behaviour until the reserve power is supplied by the storage unit.

If the upward PCR is fully supplied by the BESS (green line), the system behaves perfectly as required in case of under-frequency, without significant delay. A slower response is observed in case of large over-frequency, which means the hybrid generation plant needs to partially use its hydroelectric section to supply all the downward reserve. By contrast, the dynamic response of the traditional hydroelectric plant (blue line) dramatically departs from the desired trend on the occasion of either positive or negative frequency perturbations. Consequently, the plant operating point returns to the desired trajectory after only a few seconds. Implementing the economically optimized BESS size

(black line), the generating plant behaviour lies between the desired trajectory and the traditional plant evolution.

6. Conclusions

Considering the evolution of the electrical power system, in which traditional generating units tend to be replaced by renewables with consequent reduction of the available reserve power, this paper discusses the possible extension of the frequency regulation ancillary service to run-of-river hydroelectric plants. In the proposed solution, this can be done by either acting on the hydraulic units or integrating the plant with a Lithium-ion battery storage system.

A technical-economic analysis demonstrates how installing a storage unit partially supplying PCR in a real run-of-river plant could prove to be very interesting in terms of investment profitability. Even including the installation costs, in any case decreasing in recent years, the BESS integration shows high IRR since it allows the traditional plant to operate at higher power, closer to the hydraulic availability. This enables an increased production of the plant and, generally, a better exploitation of the renewable source.

Furthermore, the advantages of supplying reserve power by means of a storage unit have been investigated through dynamic simulations in DIGSILENT PowerFactory environment. Results demonstrate that a storage unit allows a faster and more accurate active power response to frequency perturbations, whereas traditional hydroelectric units are heavily affected by the overall system inertia. In particular, if the hydroelectric units supply the required reserve, the plant operating point corresponds to the required regulating trajectory only in steady-state conditions, so the stability contribution during the transient phase is limited, particularly in the case of under-frequency. However, if the BESS size is able to cover the required reserve according to the frequency perturbation depth, the system trajectory in the frequency/power plane perfectly matches the regulation curve defined by the current standards during all the simulated time duration, maximizing the primary reserve effectiveness and increasing the system stability.

Author Contributions: Fabio Bignucolo, Roberto Caldon and Fabio Pasut conceived the project; Fabio Bignucolo, Massimiliano Coppo and Martino Pettinà developed the technical-economic procedure, realized the dynamic model in the simulation software environment and performed the dynamic analysis; Fabio Pasut made available the plant data. All authors wrote, reviewed and approved the manuscript.

Conflicts of Interest: The authors declare no conflict of interest.

References

1. ENTSO-E, Electricity in Europe 2015, Synthetic Overview of Electric System Consumption, Generation and Exchanges in the ENTSO-E Area. Available online: https://www.entsoe.eu/Documents/Publications/Statistics/electricity_in_europe/entsoe_electricity_in_europe_2015_web.pdf (accessed on 20 September 2016).
2. ENTSO-E, Scenario Outlook & Adequacy Forecast 2015. Available online: https://www.entsoe.eu/Documents/SDC%20documents/SOAF/150630_SOAF_2015_publication_wcover.pdf (accessed on 22 September 2016).
3. Stroe, D.I.; Knap, V.; Swierczynski, M.; Stroe, A.I.; Teodorescu, R. Suggested operation of grid-connected lithium-ion battery energy storage system for primary frequency regulation: Lifetime perspective. In Proceedings of the 2015 IEEE Energy Conversion Congress and Exposition (ECCE), Montreal, QC, Canada, 20–24 September 2015; pp. 1105–1111.
4. Borsche, T.; Ulbig, A.; Koller, M.; Andersson, G. Power and energy capacity requirements of storages providing frequency control reserves. In Proceedings of the 2013 IEEE Power & Energy Society General Meeting, Vancouver, BC, Canada, 21–23 July 2013; pp. 1–5.
5. TERNA S.p.A. Enclosure to the Grid Code A.15–Participation in the Regulation of Frequency and Frequency/Power. 2008. Available online: <http://download.terna.it/terna/0000/0105/32.pdf> (accessed on 20 September 2016).

6. Delfanti, M.; Falabretti, D.; Merlo, M.; Monfredini, G. Distributed Generation Integration in the Electric Grid: Energy Storage System for Frequency Control. *J. Appl. Math.* **2014**, *2014*, 198427. [[CrossRef](#)]
7. Bignucolo, F.; Caldon, R.; Frigo, M.; Morini, A.; Pitto, A.; Silvestro, F. Impact of distributed generation on network security: Effects on loss-of-main protection reliability. In Proceedings of the 2008 43rd International Universities Power Engineering Conference, Padova, Italy, 1–4 September 2008; pp. 1–5.
8. Bignucolo, F.; Cerretti, A.; Coppo, M.; Savio, A.; Turri, R. Impact of distributed generation grid code requirements on islanding detection in LV networks. *Energies* **2016**, in press.
9. Energy Storage Association (ESA). Frequency Regulation. Available online: <http://energystorage.org/energy-storage/technology-applications/frequency-regulation> (accessed on 11 November 2016).
10. ENTSO-E, Continental Europe Operation Handbook, P1-Policy 1: Load-Frequency Control and Performance. Available online: https://www.entsoe.eu/fileadmin/user_upload/_library/publications/entsoe/Operation_Handbook/Policy_1_final.pdf (accessed on 20 September 2016).
11. ENTSO-E, Installed Capacity for Production Type. Available online: <https://transparency.entsoe.eu/> (accessed on 23 November 2016).
12. Ozdemir, E.; Ozdemir, S.; Erhan, k.; Aktas, A. Energy storage technologies opportunities and challenges in smart grids. In Proceedings of the 2016 International Smart Grid Workshop and Certificate Program (ISGWCP), Istanbul, Turkey, 21–25 March 2016; pp. 1–6.
13. Bignucolo, F.; Caldon, R.; Carradore, L.; Sacco, A.; Turri, R. Role of storage systems and market based ancillary services in active distribution networks management. In Proceedings of the 43rd International Conference on Large High Voltage Electric Systems, CIGRE, Paris, France, 22–27 August 2010.
14. Younicos, Schwerin Battery Park. Available online: <https://www.yunicos.com/case-studies/schwerin/> (accessed on 25 November 2016).
15. Borsche, T.S.; Ulbig, A.; Andersson, G. Impact of Frequency Control Reserve Provision by Storage Systems on Power System Operation. *IFAC Proc. Vol.* **2014**, *47*, 4038–4043. [[CrossRef](#)]
16. Lucas, A.; Chondrogiannis, S. Smart grid energy storage controller for frequency regulation and peak shaving, using a vanadium redox flow battery. *Int. J. Electr. Power Energy Syst.* **2016**, *80*, 26–36. [[CrossRef](#)]
17. Nykvist, B.; Nilsson, M. Rapidly falling costs of battery packs for electric vehicles. *Nat. Clim. Chang.* **2015**, *5*, 329–332. [[CrossRef](#)]
18. Amamra, S.A.; Francois, B.; Lugaro, J. Day-ahead primary power reserve planning and day-D primary frequency control of a Li-ion battery. In Proceedings of the 2015 IEEE Eindhoven PowerTech, Eindhoven, The Netherlands, 29 June–2 July 2015; pp. 1–5.
19. Oudalov, A.; Chartouni, D.; Ohler, C. Optimizing a Battery Energy Storage System for Primary Frequency Control. *IEEE Trans. Power Syst.* **2007**, *22*, 1259–1266. [[CrossRef](#)]
20. Teng, F.; Strbac, G. Commercial strategy for operating energy storage in supporting integration of renewable generation. In Proceedings of the 2016 IEEE 8th International Power Electronics and Motion Control Conference (IPEMC-ECCE Asia), Hefei, China, 22–26 May 2016; pp. 519–523.
21. Xu, B.; Oudalov, A.; Poland, J.; Ulbig, A.; Andersson, G. BESS Control Strategies for Participating in Grid Frequency Regulation. *IFAC Proc. Vol.* **2014**, *47*, 4024–4029. [[CrossRef](#)]
22. Fler, J.; Stenzel, P. Impact analysis of different operation strategies for battery energy storage systems providing primary control reserve. *J. Energy Storage* **2016**. [[CrossRef](#)]
23. Brivio, C.; Mandelli, S.; Merlo, M. Battery energy storage system for primary control reserve and energy arbitrage. *Sustain. Energy Grids Netw.* **2016**, *6*, 152–165. [[CrossRef](#)]
24. Świerczyński, M.; Stroe, D.I.; Stan, A.I.; Teodorescu, R. Primary frequency regulation with Li-ion battery energy storage system: A case study for Denmark. In Proceedings of the 2013 IEEE ECCE Asia Downunder (ECCE Asia), Melbourne, Australia, 3–6 June 2013; pp. 487–492.
25. Knap, V.; Chaudhary, S.K.; Stroe, D.I.; Swierczynski, M.; Craciun, B.I.; Teodorescu, R. Sizing of an Energy Storage System for Grid Inertial Response and Primary Frequency Reserve. *IEEE Trans. Power Syst.* **2016**, *31*, 3447–3456. [[CrossRef](#)]
26. Kjær, P.C.; Lærke, R. Experience with primary reserve supplied from energy storage system. In Proceedings of the 2015 17th European Conference on Power Electronics and Applications (EPE'15 ECCE-Europe), Geneva, Switzerland, 8–10 September 2015; pp. 1–6.
27. Hollinger, R.; Diazgranados, L.M.; Braam, F.; Erge, T.; Bopp, G.; Engel, B. Distributed solar battery systems providing primary control reserve. *IET Renew. Power Gener.* **2016**, *10*, 63–70. [[CrossRef](#)]

28. Zhao, H.; Wu, Q.; Hu, S.; Xu, H.; Rasmussen, C.N. Review of energy storage system for wind power integration support. *Appl. Energy* **2015**, *137*, 545–553. [[CrossRef](#)]
29. Johnston, L.; Díaz-González, F.; Gomis-Bellmunt, O.; Corchero-García, C.; Cruz-Zambrano, M. Methodology for the economic optimisation of energy storage systems for frequency support in wind power plants. *Appl. Energy* **2015**, *137*, 660–669. [[CrossRef](#)]
30. Banham-Hall, D.D.; Taylor, G.A.; Smith, C.A.; Irving, M.R. Flow Batteries for Enhancing Wind Power Integration. *IEEE Trans. Power Syst.* **2012**, *27*, 1690–1697. [[CrossRef](#)]
31. Kjaer, P.C.; Lærke, R.; Tarnowski, G.C. Ancillary services provided from wind power plant augmented with energy storage. In Proceedings of the 2013 15th European Conference on Power Electronics and Applications (EPE), Lille, France, 2–6 September 2013; pp. 1–7.
32. Stroe, D.I.; Swierczynski, M.; Stroe, A.I.; Teodorescu, R.; Laerke, R.; Kjaer, P.C. Degradation behaviour of Lithium-ion batteries based on field measured frequency regulation mission profile. In Proceedings of the 2015 IEEE Energy Conversion Congress and Exposition (ECCE), Montreal, QC, Canada, 20–24 September 2015; pp. 14–21.
33. Świerczyński, M.; Stroe, D.I.; Stan, A.I.; Teodorescu, R.; Sauer, D.U. Selection and Performance-Degradation Modeling of $\text{LiMO}_2 / \text{Li}_4\text{Ti}_5\text{O}_{12}$ and $\text{LiFePO}_4 / \text{C}$ Battery Cells as Suitable Energy Storage Systems for Grid Integration With Wind Power Plants: An Example for the Primary Frequency Regulation Service. *IEEE Trans. Sustain. Energy* **2014**, *5*, 90–101.
34. Wandelt, F.; Gamrad, D.; Deis, W.; Myrzik, J. Comparison of flywheels and batteries in combination with industrial plants for the provision of Primary Control Reserve. In Proceedings of the 2015 IEEE Eindhoven PowerTech, Eindhoven, The Netherlands, 29 June–2 July 2015; pp. 1–6.
35. Frequency Data Download. Available online: <http://www.50hertz.com/de/Maerkte/Regelenergie/Regelenergie-Downloadbereich> (accessed on 11 November 2016).
36. Bignucolo, F.; Raciti, A.; Caldon, R. A control strategy for the management of islanded networks with renewables and storage systems. In Proceedings of the 2014 49th International Universities Power Engineering Conference (UPEC), Cluj-Napoca, Romania, 2–5 September 2014; pp. 1–6.
37. Savio, A.; Bignucolo, F.; Caldon, R. Contribution of MV Static Distributed Generation to Voltage Unbalance Mitigation. In Proceedings of the 2016 AEIT International Annual Conference (AEIT), Capri, Italy, 5–7 October 2016.
38. Eremia, M.; Shahidehpour, M. *Handbook of Electrical Power System Dynamics: Modeling, Stability, and Control*; Wiley: Hoboken, NJ, USA, 2013; pp. 304–307.
39. Review of Existing Hydroelectric Turbine-Governor Simulation Models. Available online: <http://www.ipd.anl.gov/anlpubs/2013/10/77295.pdf> (accessed on 18 November 2016).
40. International Electrotechnical Commission (IEC). Electrical Energy Storage—White Paper. 2011. Available online: <http://www.iec.ch/whitepaper/pdf/iecWP-energystorage-LR-en.pdf> (accessed on 18 November 2016).
41. Savio, A.; Bignucolo, F.; Sgarbossa, R.; Mattavelli, P.; Cerretti, A.; Turri, R. A novel measurement-based procedure for load dynamic equivalent identification. In Proceedings of the 2015 IEEE 1st International Forum on Research and Technologies for Society and Industry Leveraging a Better Tomorrow (RTSI), Turin, Italy, 16–18 September 2015; pp. 274–279.

